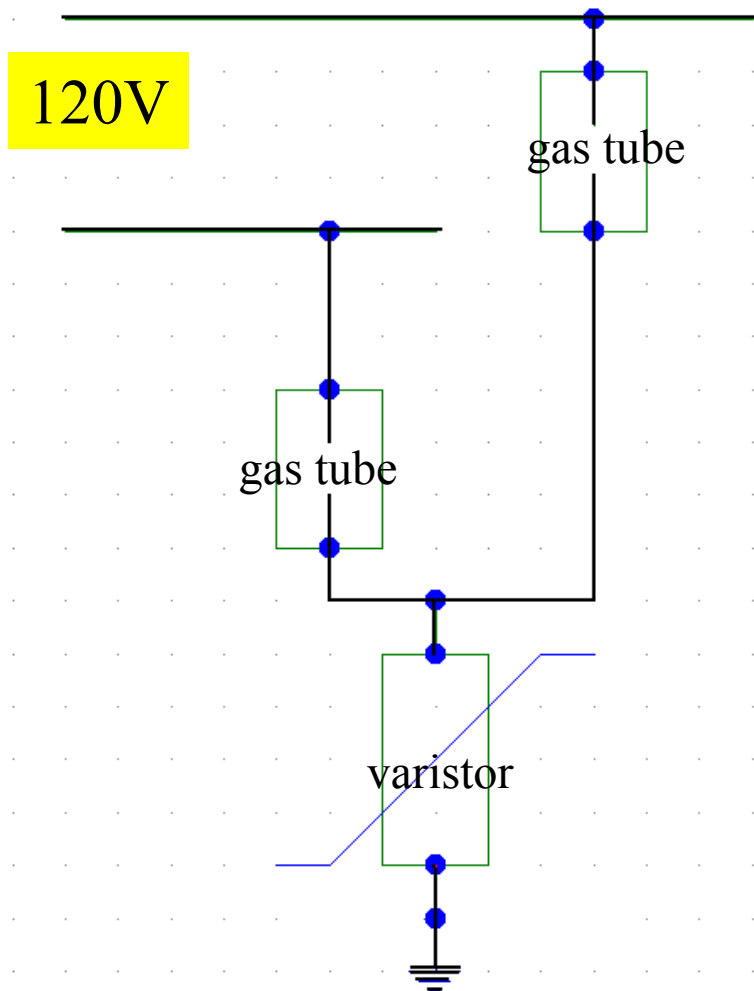


Class I Product

If the GDT/MOV combination is Recognized as Antenna Coupling per UL 1414 Fifth Edition, this construction is acceptable.

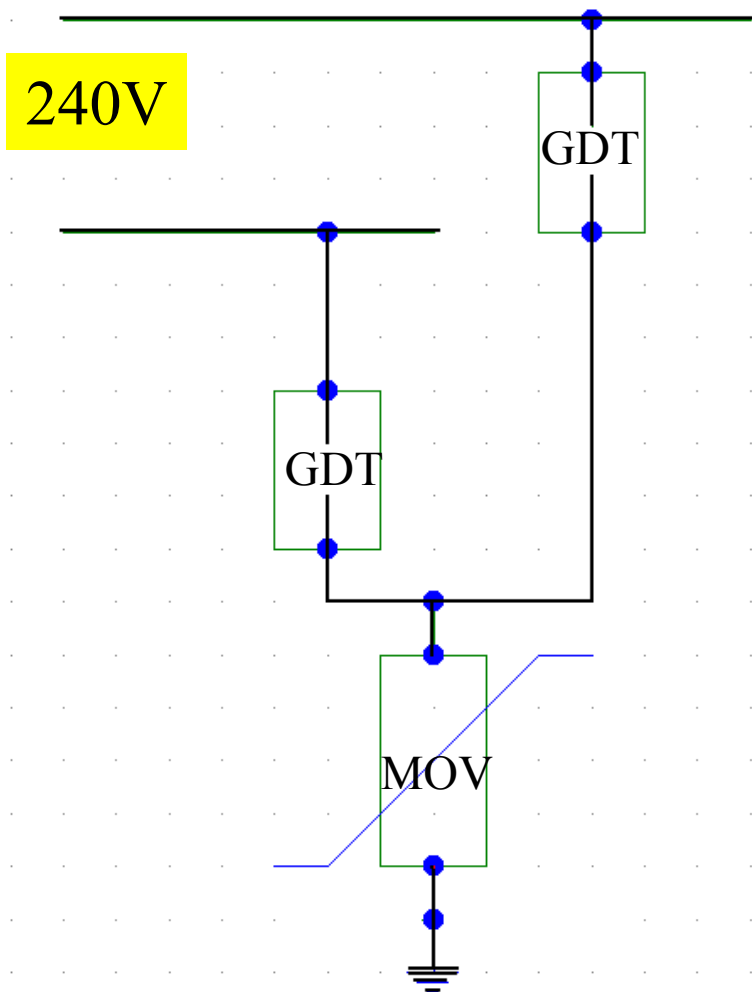
If the GDT/MOV combination is Recognized as either Y1 or Y2 per UL 1414 Sixth Edition, this construction is acceptable.



Class I Product

If the GDT/MOV combination is Recognized as Antenna Coupling per UL 1414 Fifth Edition, this construction is acceptable.

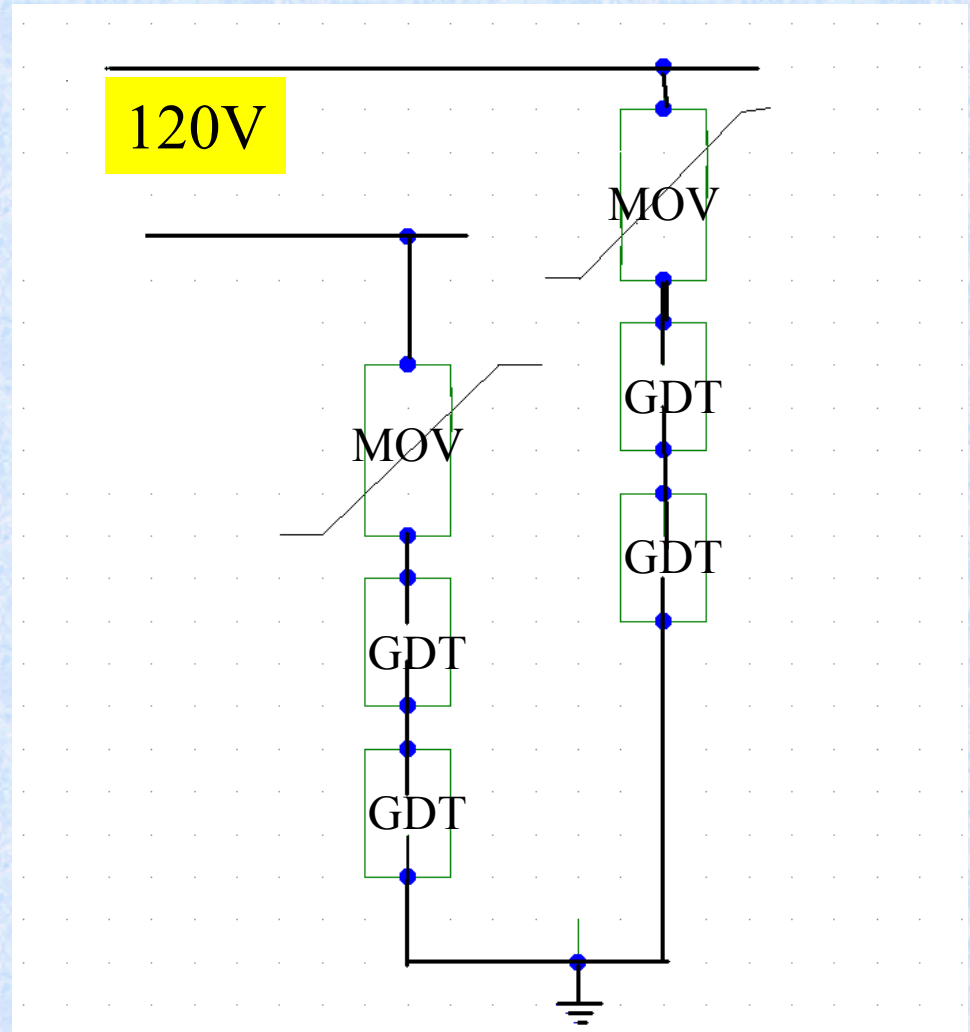
If the gas tube/varistor combination is Recognized as either Y1 or Y2 per UL 1414 Sixth Edition, this construction is acceptable.



Class I Product

If the GDT/MOV combination is Recognized as Antenna Coupling per UL 1414 Fifth Edition, this construction is acceptable.

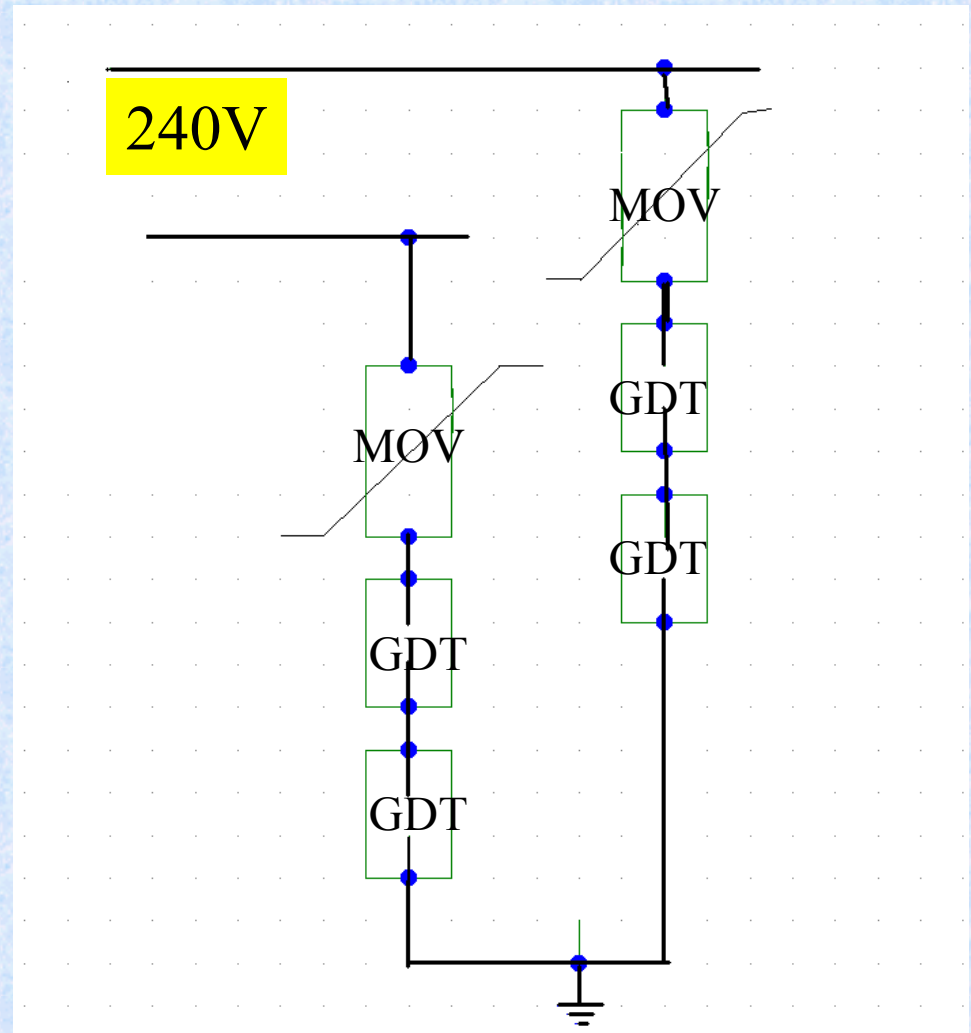
If the GDT/MOV combination is Recognized as either Y1 or Y2 per UL 1414 Sixth Edition, this construction is acceptable.



Class I Product

If the GDT/MOV combination is Recognized as Antenna Coupling per UL 1414 Fifth Edition, this construction is acceptable.

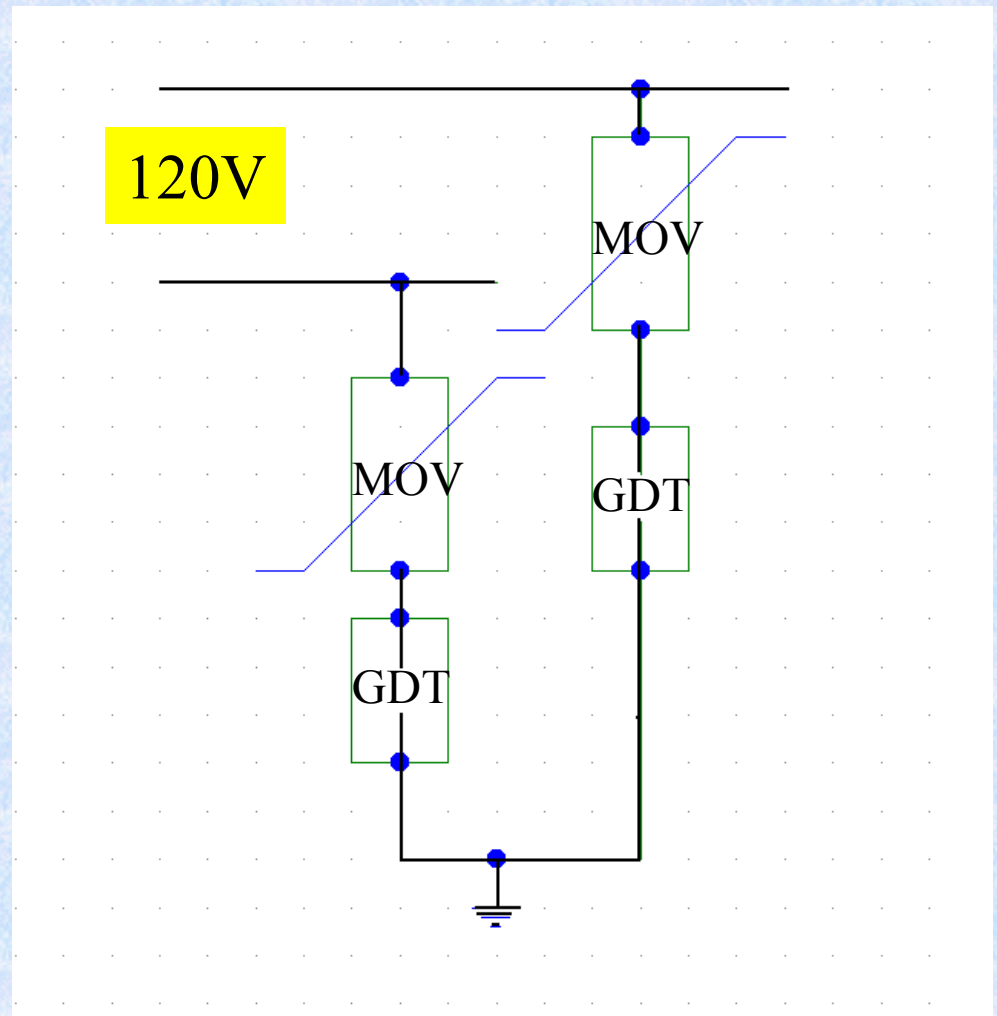
If the GDT/MOV combination is Recognized as either Y1 or Y2 per UL 1414 Sixth Edition, this construction is acceptable.



Class I Product

If the GDT/MOV combination is Recognized as Antenna Coupling per UL 1414 Fifth Edition, this construction is acceptable.

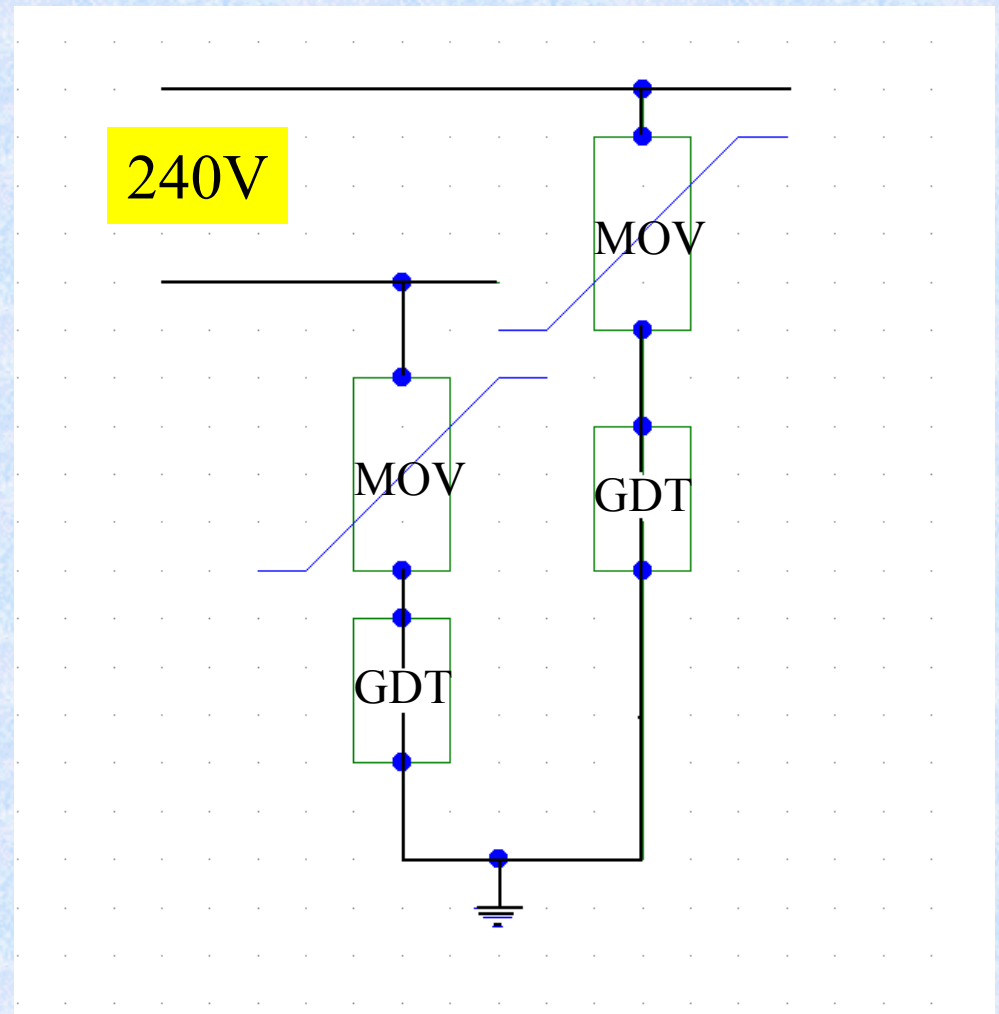
If the GDT/MOV combination is Recognized as either Y1 or Y2 per UL 1414 Sixth Edition, this construction is acceptable.



Class I Product

If the GDT/MOV combination is Recognized as Antenna Coupling per UL 1414 Fifth Edition, this construction is acceptable.

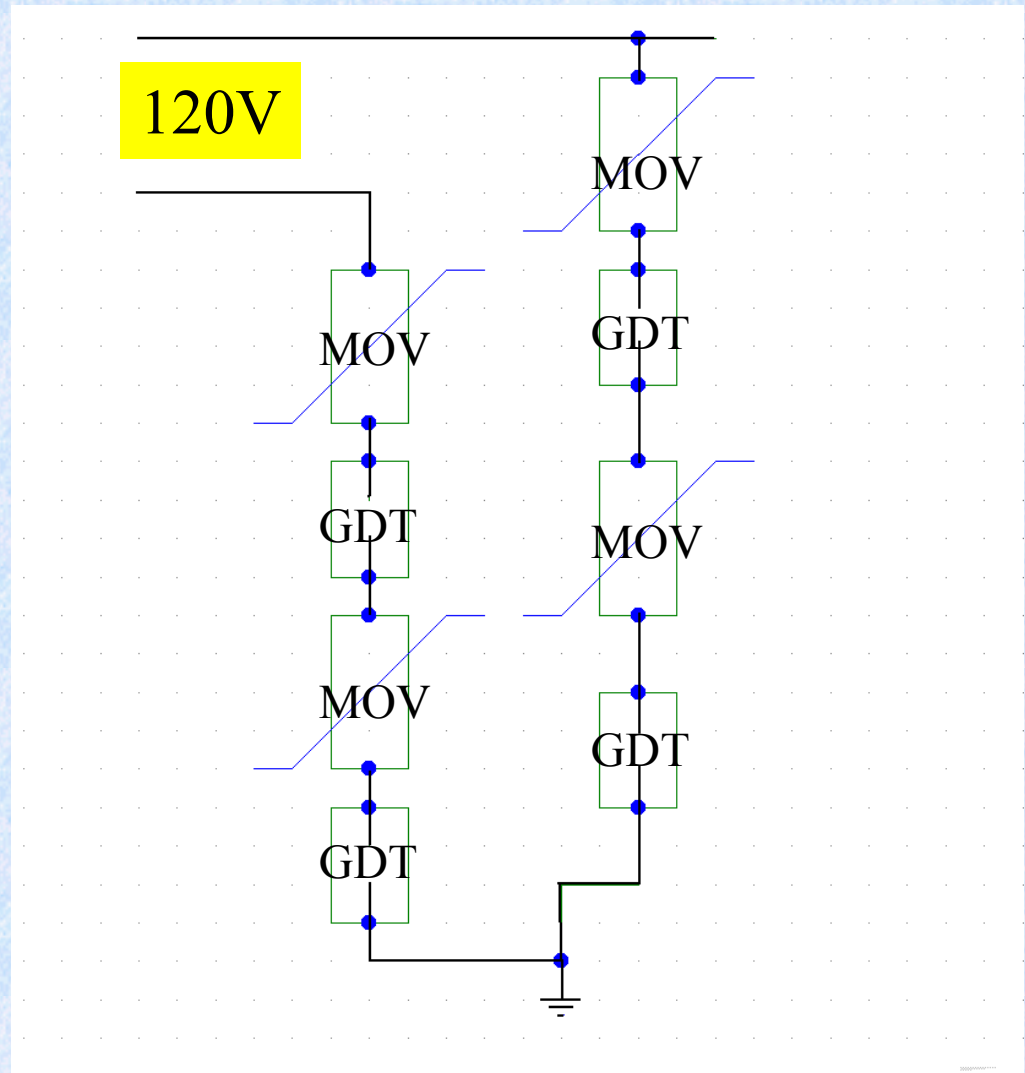
If the GDT/MOV combination is Recognized as either Y1 or Y2 per UL 1414 Sixth Edition, this construction is acceptable.



Class I Product

If the GDT/MOV combination is Recognized as Antenna Coupling per UL 1414 Fifth Edition, this construction is acceptable.

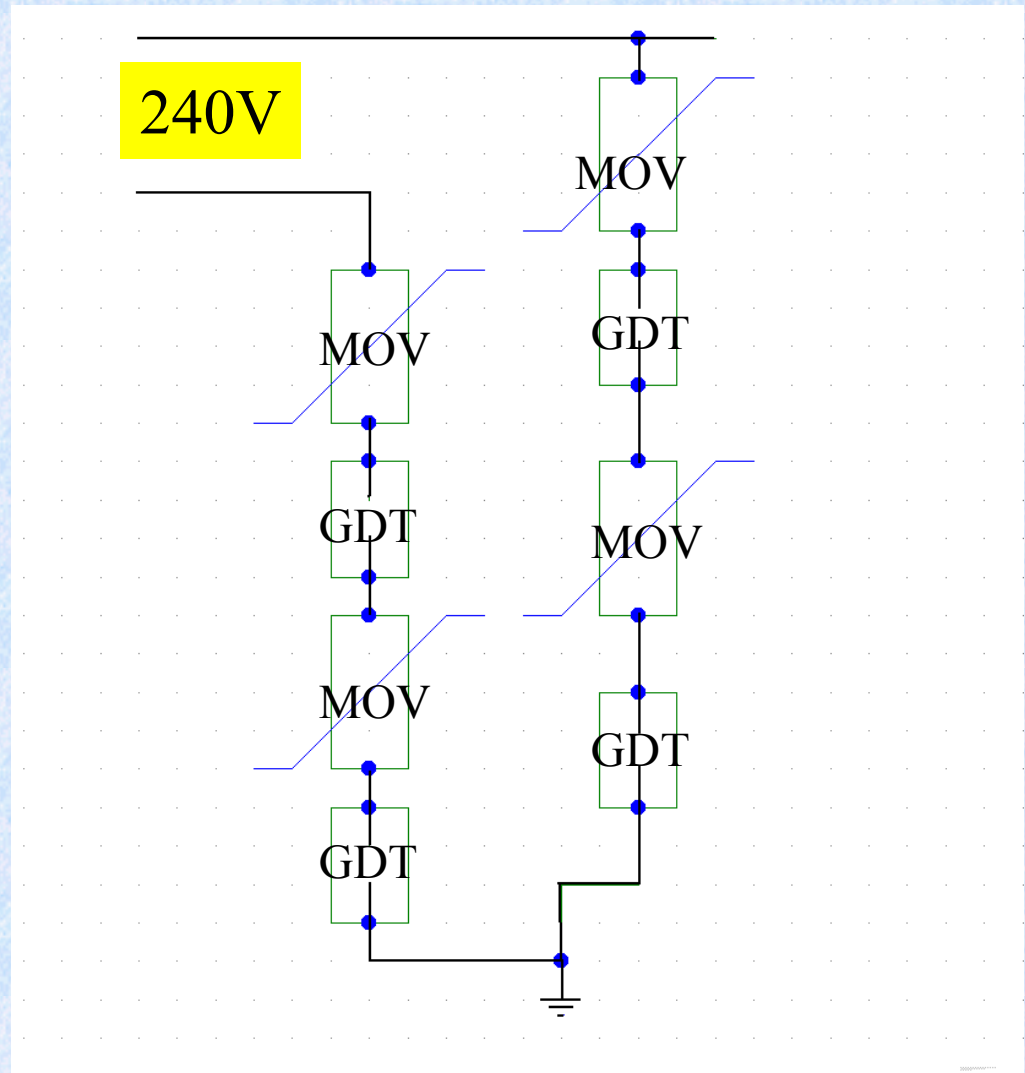
If the GDT/MOV combination is Recognized as either Y1 or Y2 per UL 1414 Sixth Edition, this construction is acceptable.



Class I Product

If the GDT/MOV combination is Recognized as Antenna Coupling per UL 1414 Fifth Edition, this construction is acceptable.

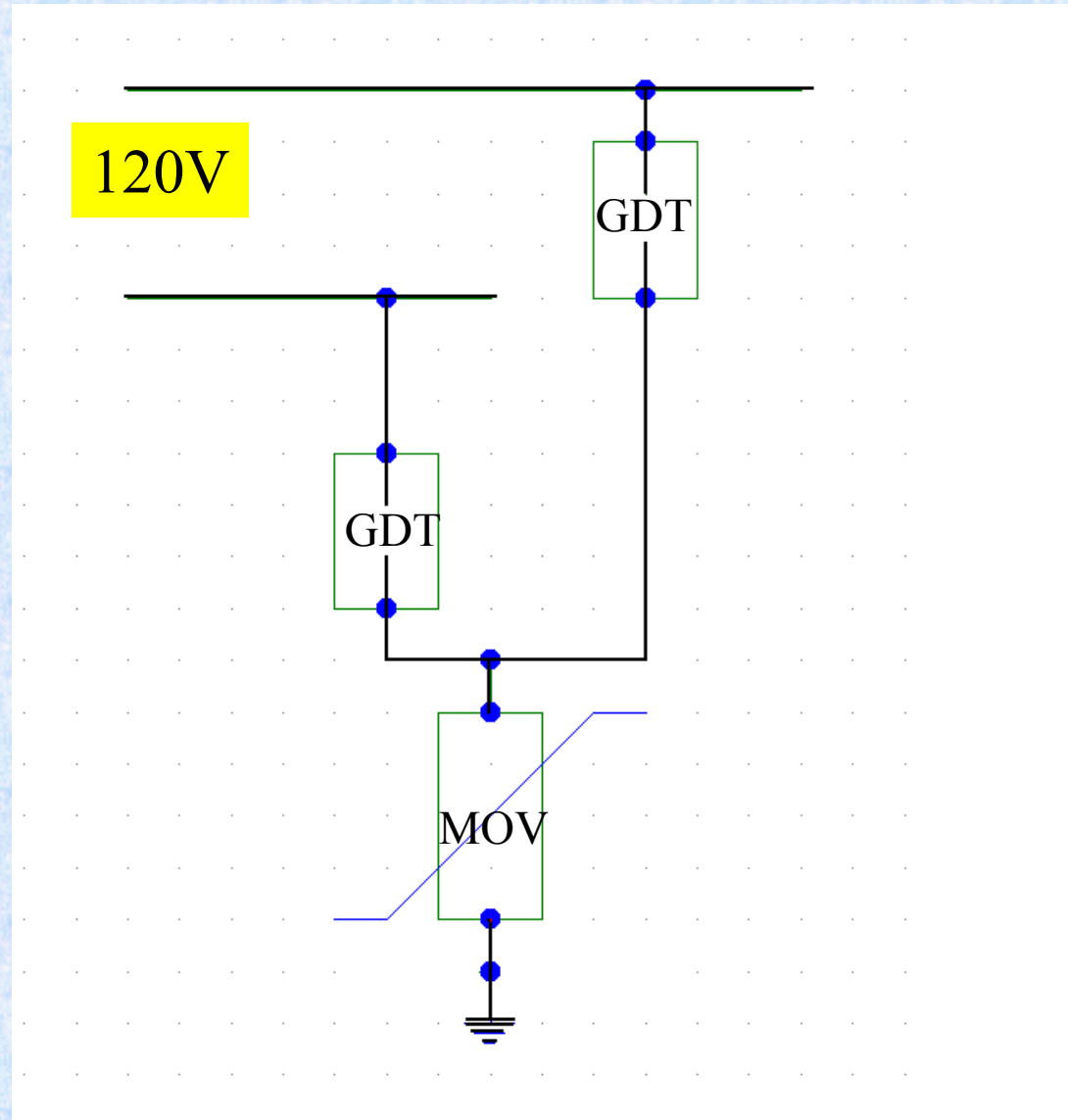
If the GDT/MOV combination is Recognized as either Y1 or Y2 per UL 1414 Sixth Edition, this construction is acceptable.



Class II Product

If the GDT/MOV combination is Recognized as Antenna Coupling per UL 1414 Fifth Edition, this construction is **NOT** acceptable.

If the GDT/MOV combination is Recognized as either Y1 or Y2 per UL 1414 Sixth Edition, this construction is acceptable.

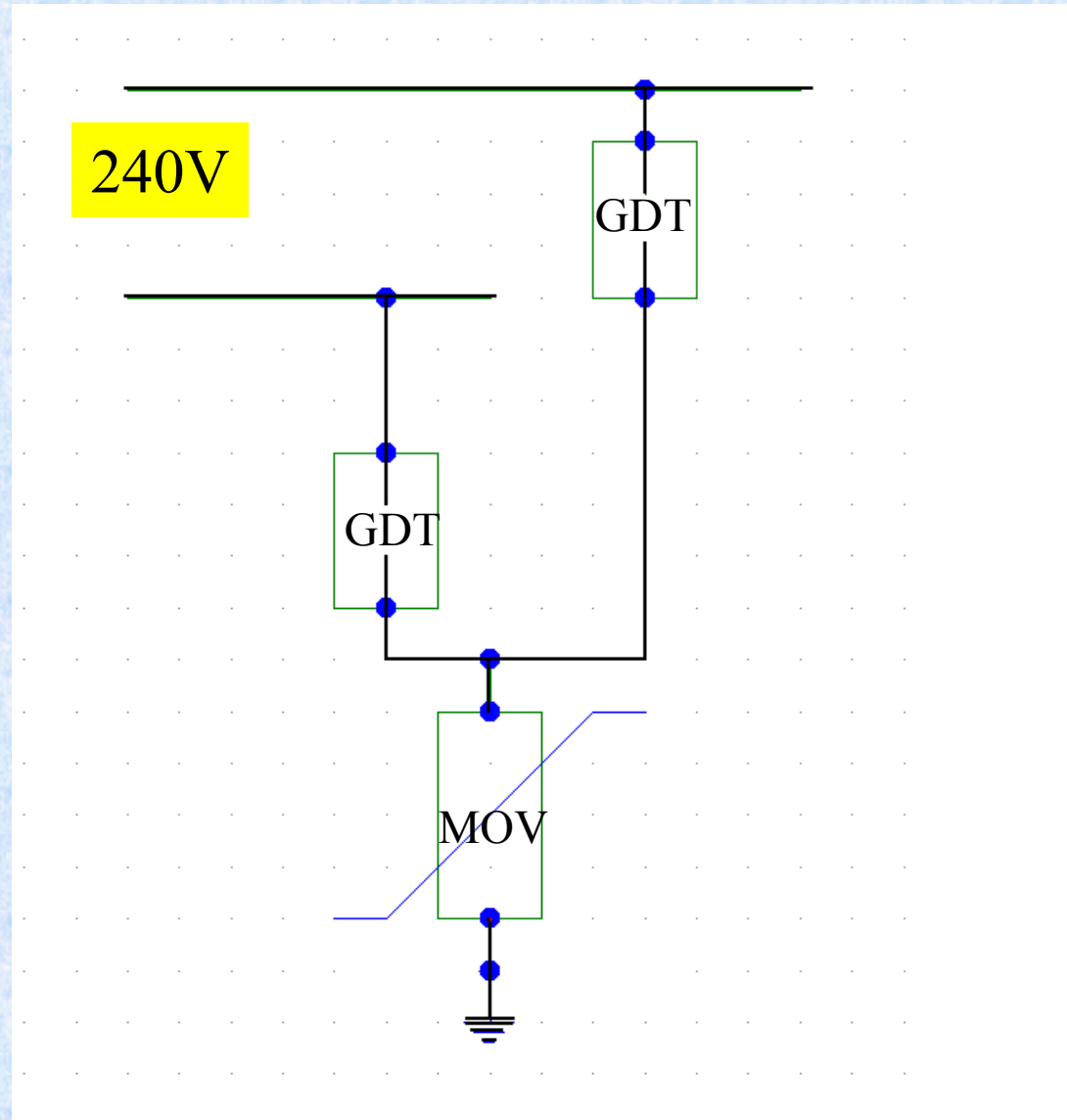


Class II Product

If the GDT/MOV combination is Recognized as Antenna Coupling per UL 1414 Fifth Edition, this construction is **NOT** acceptable.

If the GDT/MOV combination is Recognized as Y2 per UL 1414 Sixth Edition, this construction is **NOT** acceptable.

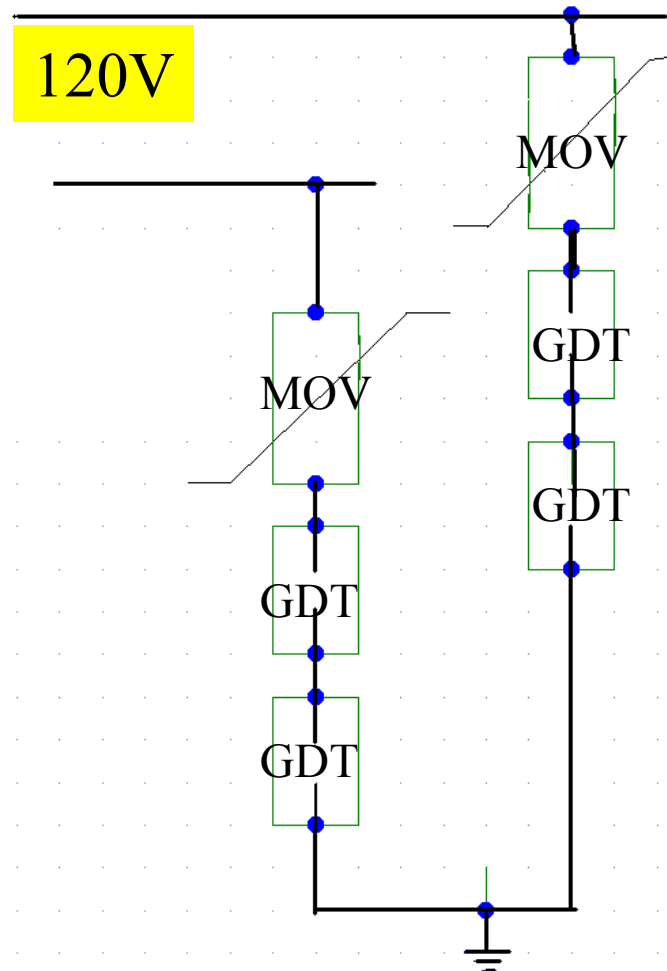
If the GDT/MOV combination is Recognized as Y1 UL 1414 Sixth Edition, this construction is acceptable.



Class II Product

If the GDT/MOV combination is Recognized as Antenna Coupling per UL 1414 Fifth Edition, this construction is acceptable.

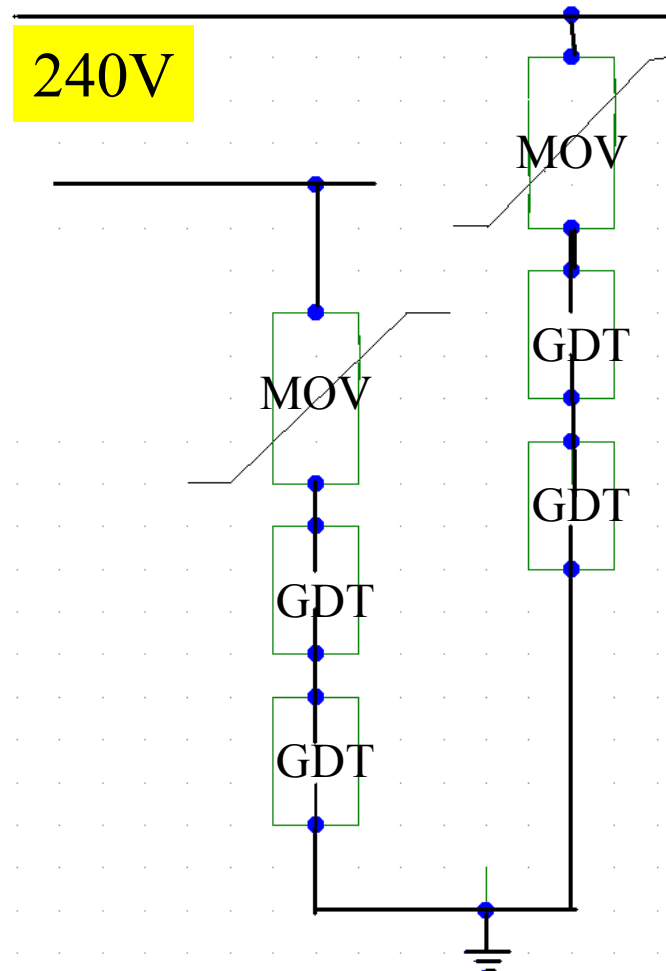
If the GDT/MOV combination is Recognized as either Y1 or Y2 per UL 1414 Sixth Edition, this construction is acceptable.



Class II Product

If the GDT/MOV combination is Recognized as Antenna Coupling per UL 1414 Fifth Edition, this construction is acceptable.

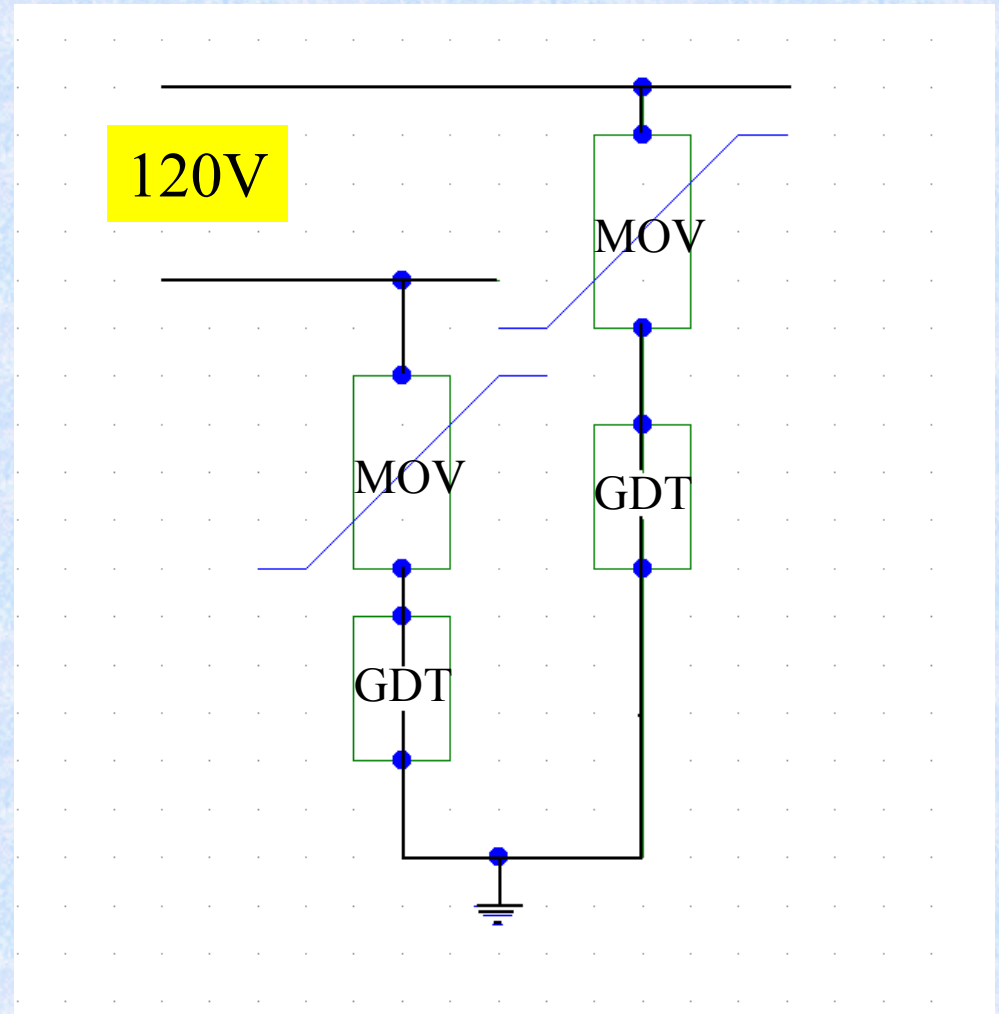
If the GDT/MOV combination is Recognized as either Y1 or Y2 per UL 1414 Sixth Edition, this construction is acceptable.



Class II Product

If the GDT/MOV combination is Recognized as Antenna Coupling per UL 1414 Fifth Edition, this construction is **NOT** acceptable.

If the GDT/MOV combination is Recognized as either Y1 or Y2 per UL 1414 Sixth Edition, this construction is acceptable.

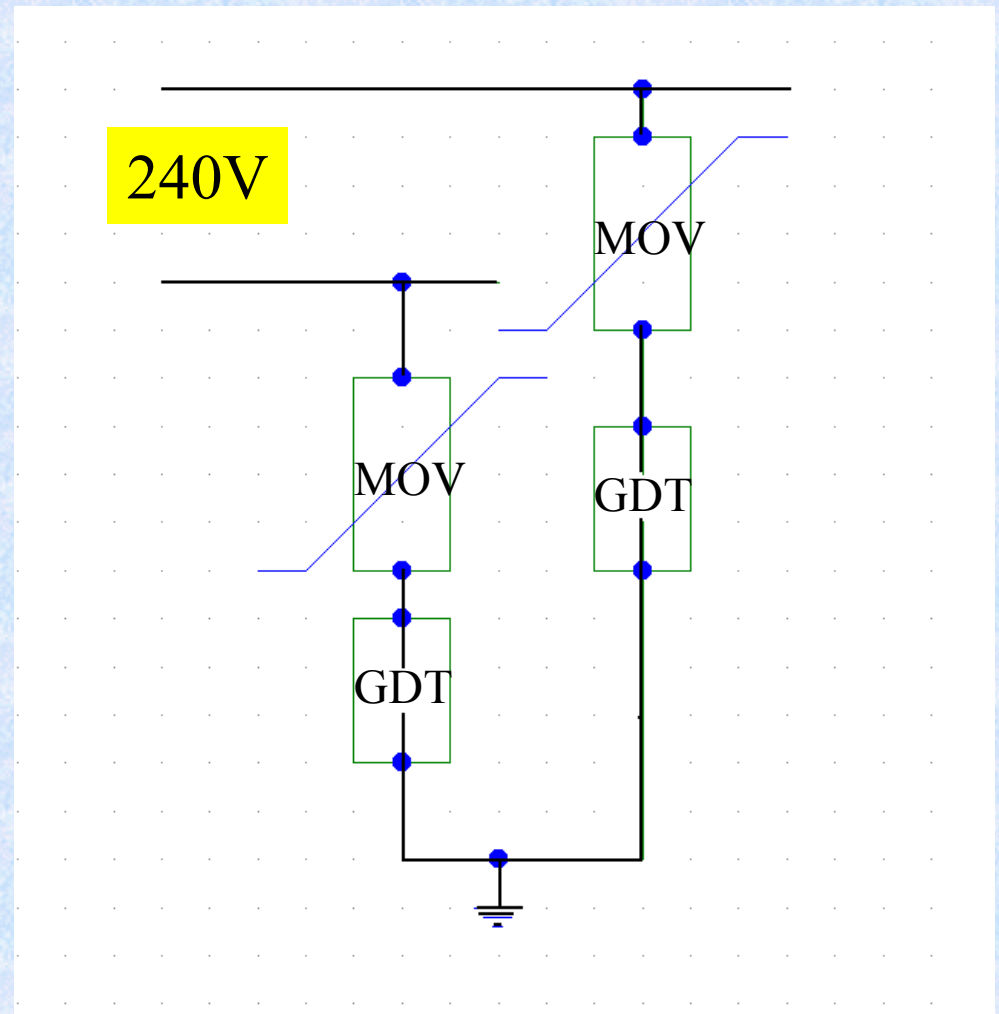


Class II Product

If the GDT/MOV combination is Recognized as Antenna Coupling per UL 1414 Fifth Edition, this construction is **NOT** acceptable.

If the GDT/MOV combination is Recognized as Y2 per UL 1414 Sixth Edition, this construction is **NOT** acceptable.

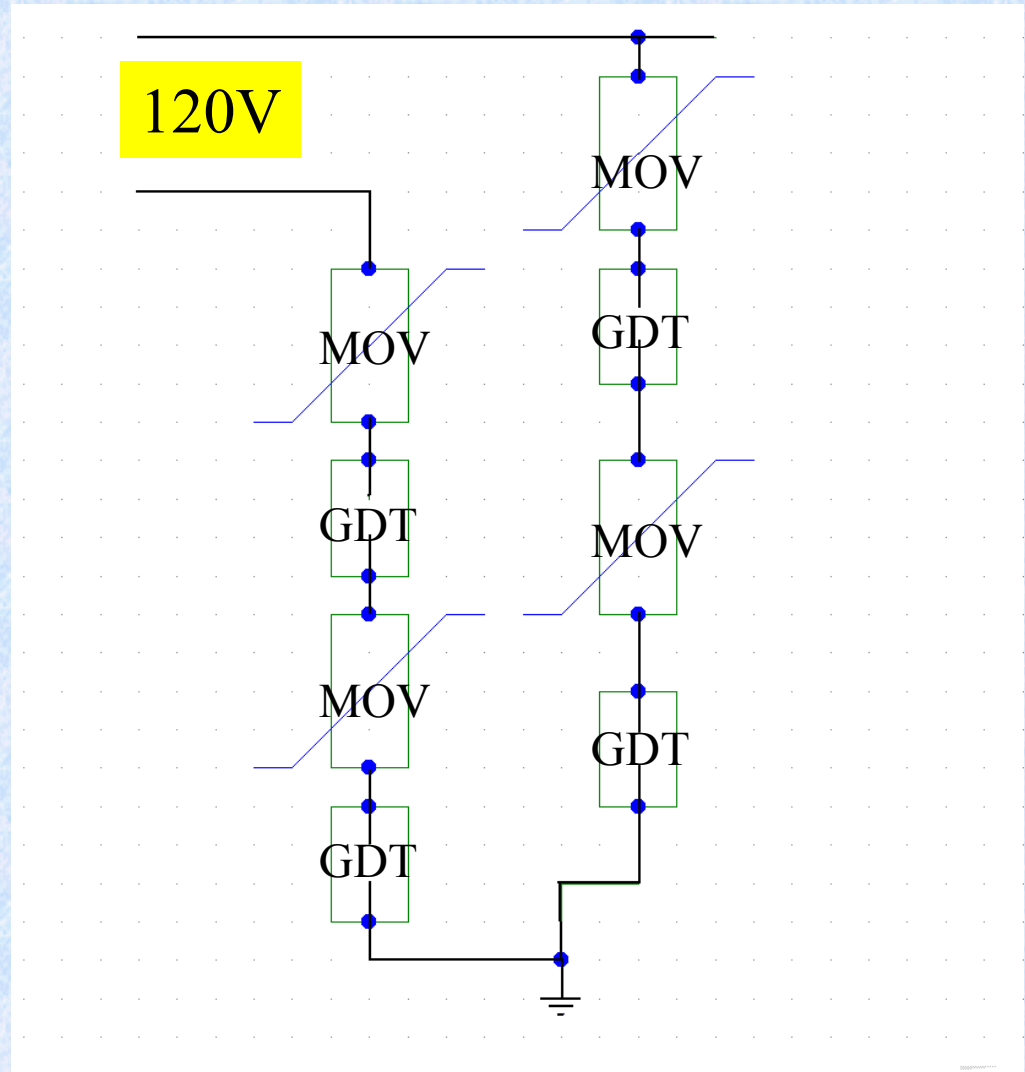
If the GDT/MOV combination is Recognized as Y1 per UL 1414 Sixth Edition, this construction is acceptable.



Class II Product

If the GDT/MOV combination is Recognized as Antenna Coupling per UL 1414 Fifth Edition, this construction is acceptable.

If the GDT/MOV combination is Recognized as either Y1 or Y2 per UL 1414 Sixth Edition, this construction is acceptable.



Class II Product

If the GDT/MOV combination is Recognized as Antenna Coupling per UL 1414 Fifth Edition, this construction is acceptable.

If the GDT/MOV combination is Recognized as either Y1 or Y2 per UL 1414 Sixth Edition, this construction is acceptable.

